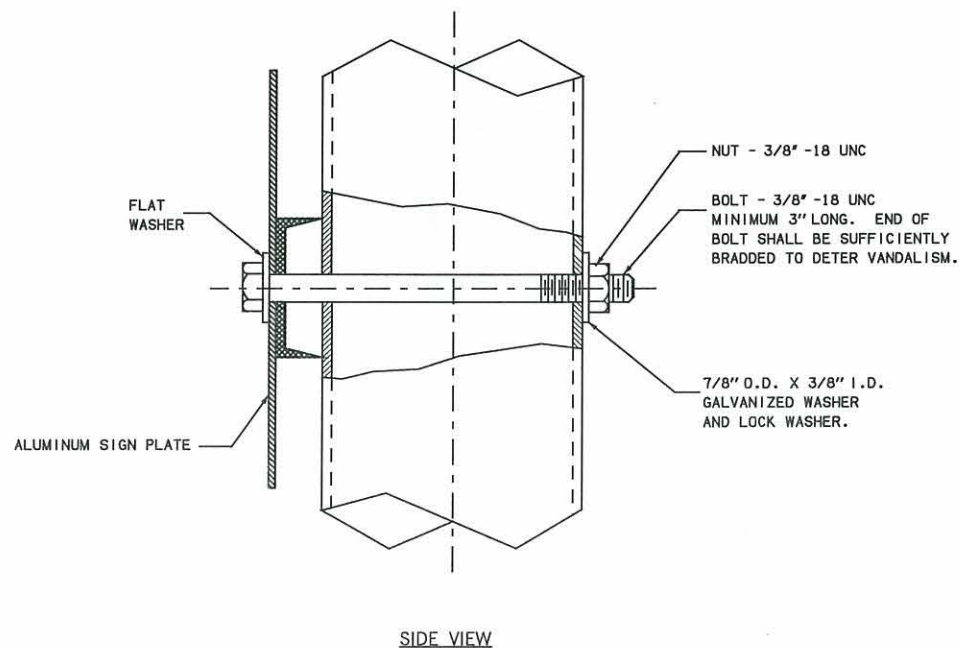
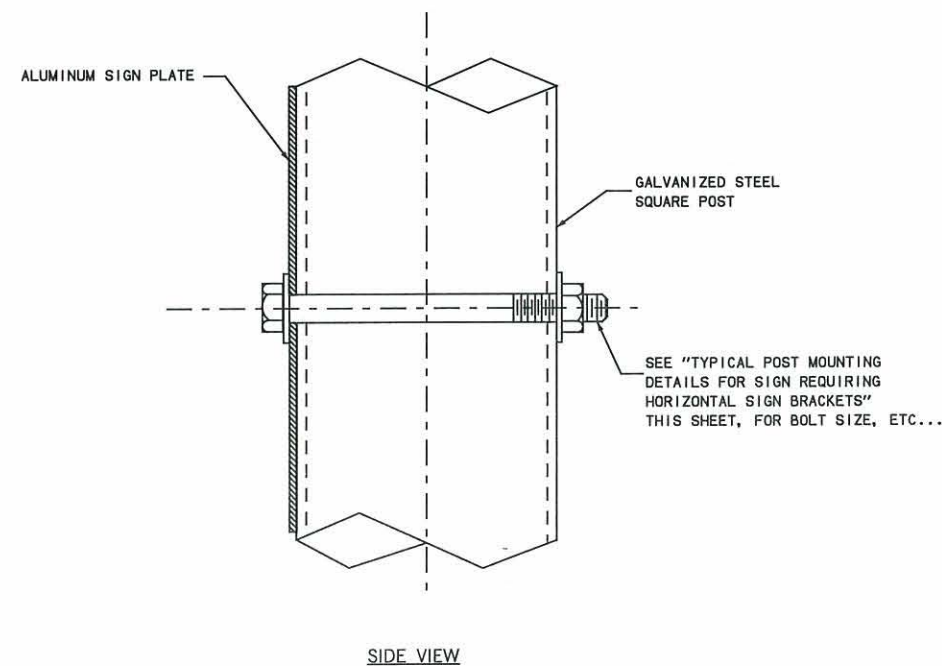


1/4" FASTENER AND 1/4" COLLAR
(TYPICAL)

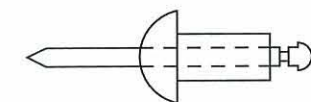
GRIP NO.	GRIP LENGTH (INCHES)	F-MIN.
2	0.094 - 0.156	1-7/16"
3	0.157 - 0.218	1-1/2"
4	0.219 - 0.281	1-9/16"
5	0.282 - 0.343	1-5/8"
6	0.344 - 0.406	1-11/16"
17	0.407 - 1.093	2-3/8"



TYPICAL POST MOUNTING DETAILS
FOR SIGN REQUIRING HORIZONTAL
SIGN BRACKETS



TYPICAL POST MOUNTING DETAILS
FOR SIGN 18" WIDE AND UNDER



ALUMINUM ALLOY BODY AND
MANDREL. GRIP RANGE
1/16" TO 1/4".

1/4" BLIND
FASTENERS

NOTE: ALL NUTS SHALL
BE SELF-LOCKING.



APPROVED BY
TRAFFIC ENGINEER: *David Smith* DATE: 8/15/10

TRAFFIC STANDARD

SHEET SIGN ASSEMBLY DETAILS
(SQUARE TUBE)